

## 1. General Description

---

The EM74HC7266; EM74HCT7266 is a quad 2-input XNOR gate. Inputs include clamp diodes. This enables the use of current limiting resistors to interface inputs to voltages in excess of  $V_{CC}$ .

## 2. Features and Benefits

---

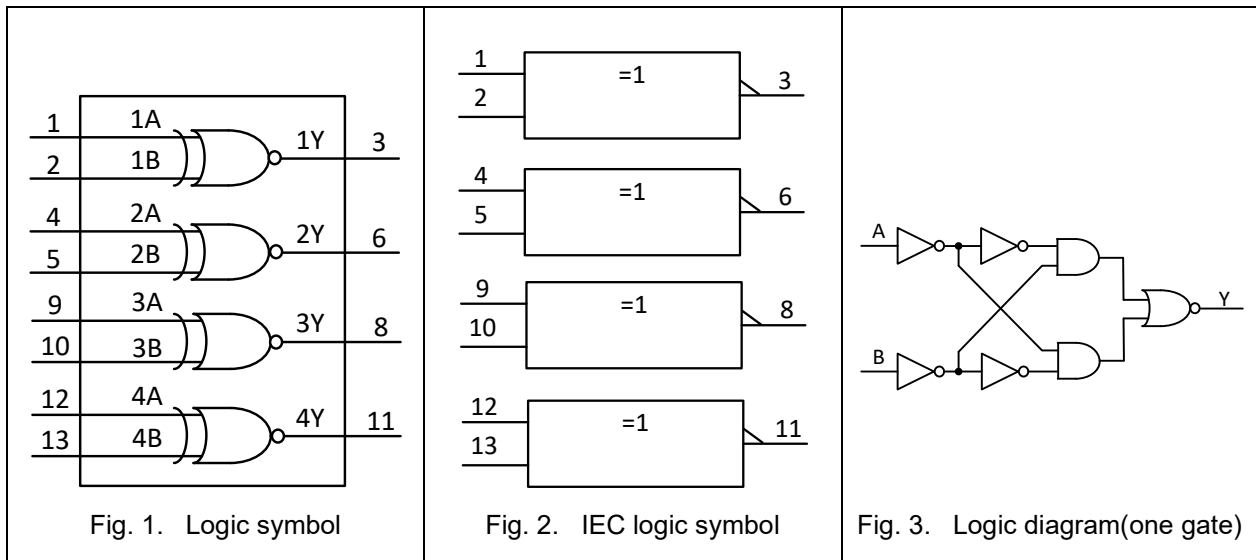
- Wide supply voltage range from 2.0 V to 6.0 V
- High noise immunity
- CMOS low power dissipation
- Latch-up performance exceeds 250 mA
- Complies with JEDEC standards:
  - JESD8C (2.7 V to 3.6 V)
  - JESD7A (2.0 V to 6.0 V)
- Input levels:
  - For EM74HC7266: CMOS level
  - For EM74HCT7266: TTL level
- ESD protection:
  - HBM ANSI/ESDA/JEDEC JS-001 Class 2 exceeds 3500 V
  - CDM ANSI/ESDA/JEDEC JS-002 Class C3 exceeds 2000 V
- Multiple package options

### 3. Ordering Information

Table 1. Ordering information

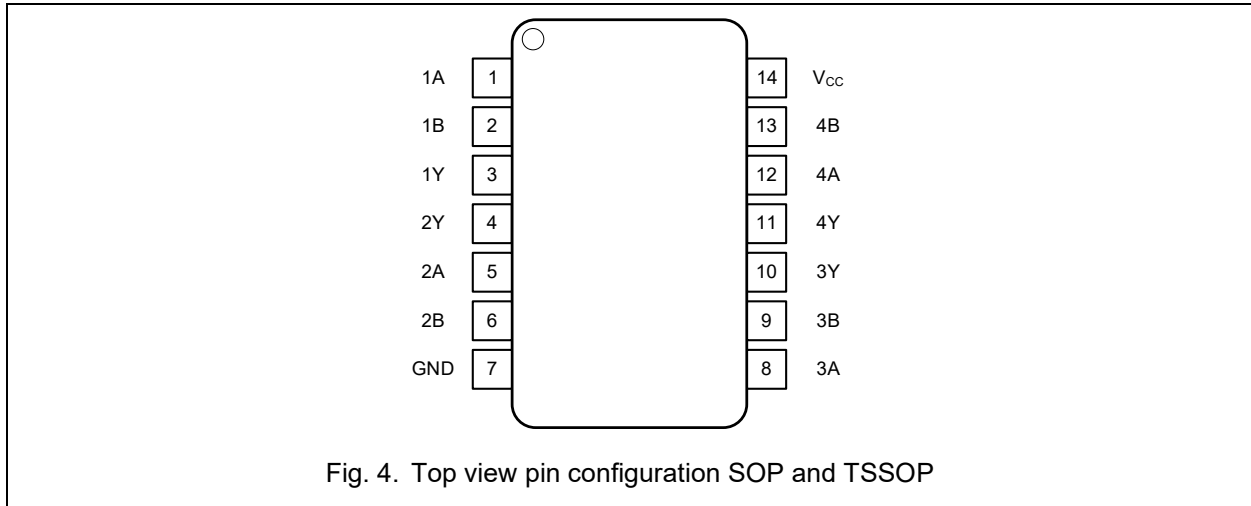
Type number	Package		
	Name	Description	Quantity
EM74HC7266D	SOP-14L	plastic small outline package; 14 leads; body width 3.9 mm	3000
EM74HCT7266D			
EM74HC7266PW	TSSOP-14L	plastic thin shrink small outline package; 14 leads; body width 4.4 mm	3000
EM74HCT7266PW			

### 4. Function Diagram



## 5. Pinning Information

### 5.1. Pinning



### 5.2. Pin description

Table 2. Pin description

Symbol	Pin	Description
1A, 2A, 3A, 4A	1, 5, 8, 12	Data input
1B, 2B, 3B, 4B	2, 6, 9, 13	Data input
1Y, 2Y, 3Y, 4Y	3, 4, 10, 11	Data output
GND	7	Ground (0V)
V <sub>CC</sub>	14	Supply voltage

## 6. Functional Description

Table 3. Function table

H = HIGH voltage level; L = LOW voltage level.

Control		Output
nA	nB	nY
L	L	H
L	H	L
H	L	L
H	H	H