

1. General Description

The EM74HCS27 is a triple 3-input NOR gate with Schmitt-trigger inputs. Inputs include clamp diodes. This enables the use of current limiting resistors to interface inputs to voltages in excess of V_{CC} .

2. Features and Benefits

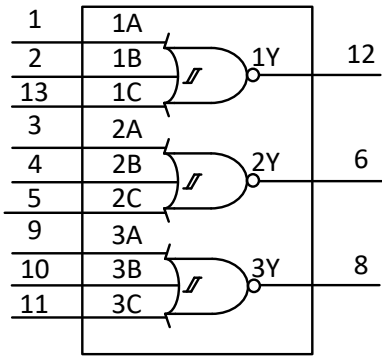
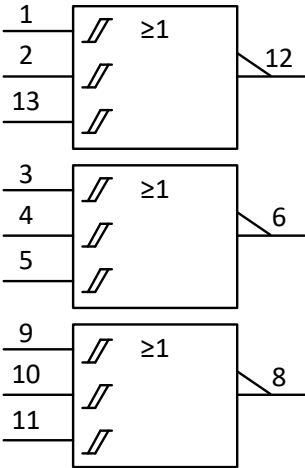
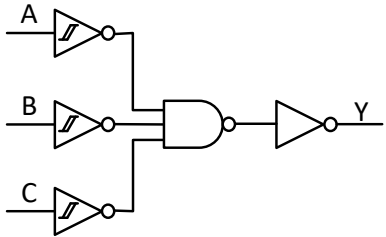
- Wide supply voltage range from 2.0 V to 6.0 V
- High noise immunity
- CMOS low power dissipation
- Latch-up performance exceeds 250 mA
- Unlimited rise and fall times
- Complies with JEDEC standards:
 - JESD8C (2.7 V to 3.6 V)
 - JESD7A (2.0 V to 6.0 V)
- ESD protection:
 - HBM ANSI/ESDA/JEDEC JS-001 Class 2 exceeds 3500 V
 - CDM ANSI/ESDA/JEDEC JS-002 Class C3 exceeds 2000 V
- Multiple package options

3. Ordering Information

Table 1. Ordering information

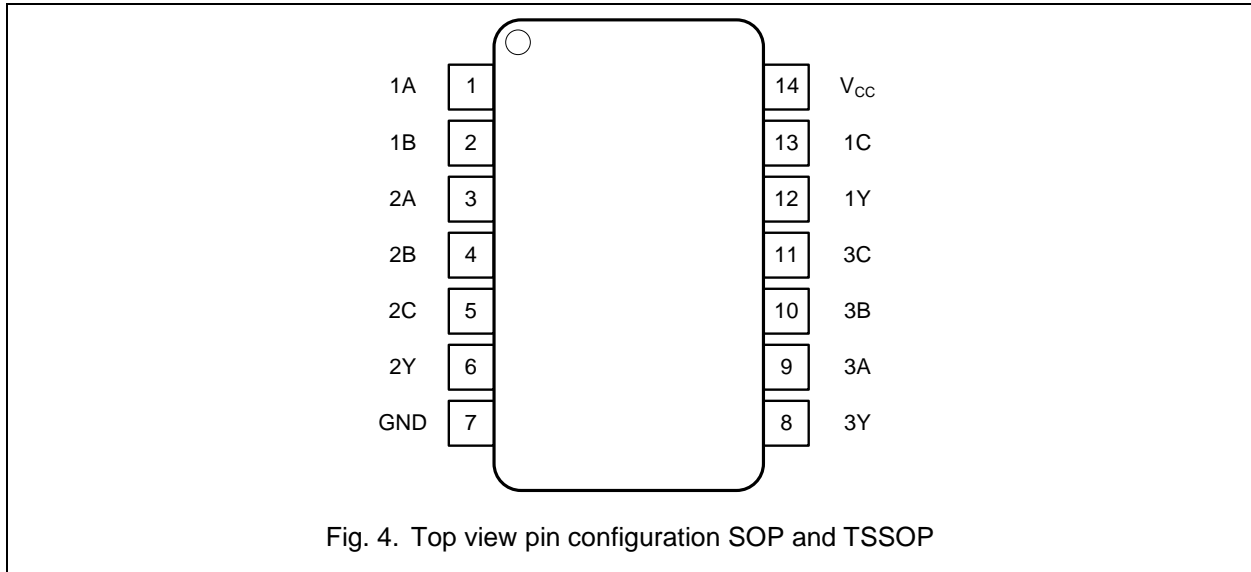
Type number	Package		
	Name	Description	Quantity
EM74HCS27D	SOP-14L	plastic small outline package; 14 leads; body width 3.9 mm	3000
EM74HCS27PW	TSSOP-14L	plastic thin shrink small outline package; 14 leads; body width 4.4 mm	3000

4. Function Diagram

 <p>Fig. 1. Logic symbol</p>	 <p>Fig. 2. IEC logic symbol</p>	 <p>Fig. 3. Logic diagram(one gate)</p>
--	--	--

5. Pinning Information

5.1. Pinning



5.2. Pin description

Table 2. Pin description

Symbol	Pin	Description
1A, 2A, 3A	1, 3, 9	Data input
1B, 2B, 3B	2, 4, 10	Data input
1C, 2C, 3C	13, 5, 11	Data input
1Y, 2Y, 3Y	12, 6, 8	Data output
GND	7	Ground (0V)
V _{cc}	14	Supply voltage